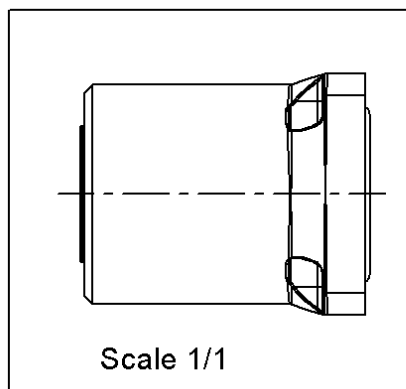
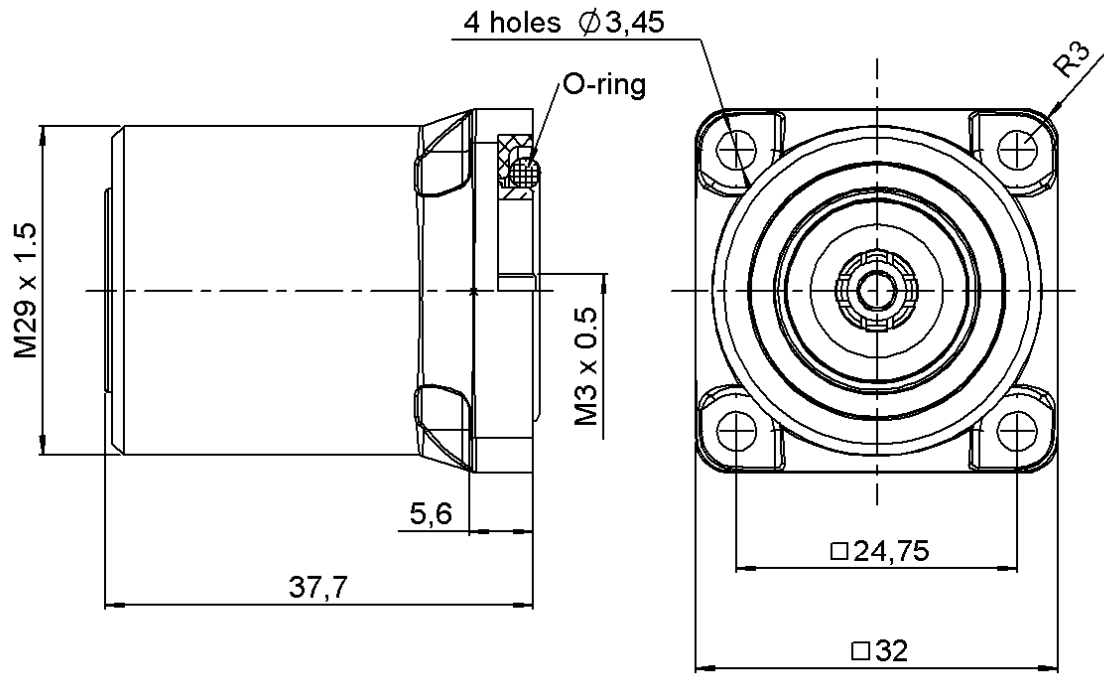


**COMPOSITE SQUARE FLANGE JACK RECEPTACLE**

**R187.416.000**

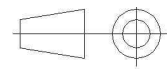
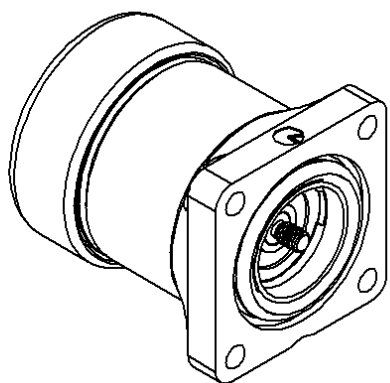
**PANEL SEAL - FRONT MOUNTING M3 SCREW**

**S : 7/16 COMPOSITE**



**PANEL CUT OUT**

	mm	
	Maxi	mini
A	16.2	16
B	3.7	3.6
C	24.8	24.7



All dimensions are in mm.

COMPONENTS	MATERIALS	PLATING (µm)
BODY	COMPOSITE MATERIAL - BLACK	-
CENTER CONTACT	BRONZE	SILVER 5 OVER COPPER 0.5
OUTER CONTACT	BRASS	SILVER 3 OVER BBR 0.5
INSULATOR	PTFE	-
GASKET	SILICONE RUBBER	-
OTHERS PARTS	-	-
-	-	-
-	-	-

Issue : 0834 B

In the effort to improve our products, we reserve the right to make changes judged to be necessary.



**COMPOSITE SQUARE FLANGE JACK RECEPTACLE**

**R187.416.000**

**PANEL SEAL - FRONT MOUNTING M3 SCREW**

**S : 7/16 COMPOSITE**

**PACKAGING**

**SPECIFICATION**

Standard	Unit	Other
<b>10</b>	<b>'W' option</b>	<b>Contact us</b>

**ELECTRICAL CHARACTERISTICS**

**ENVIRONMENTAL**

Impedance	<b>50</b>	$\Omega$
Frequency	<b>0-7.5</b>	GHz
VSWR	<b>*1.06 + 0,0000</b>	x F(GHz) Maxi
Insertion loss	<b>0.05</b>	$\sqrt{F}$ (GHz) dB Maxi
RF leakage	<b>- ( NA</b>	- F(GHz)) dB Maxi
Voltage rating	<b>1400</b>	Veff Maxi
Dielectric withstanding voltage	<b>2700</b>	Veff mini
Insulation resistance	<b>10000</b>	M $\Omega$ mini

Operating temperature	<b>-40/+85</b>	$^{\circ}$ C
Hermetic seal		Atm.cm3/s
Panel leakage	<b>IP67</b>	

**OTHER CHARACTERISTICS**

Assembly instruction

Others :

\*VSWR : 1.06 between DC to 3GHz

\*VSWR : 1.10 between 3 to 7.5GHz

PIM3:-125dBm under 2 carriers of +43dBm

Flammability rating : UL94-V0

UV resistance : IEC 68-2-5 (1000h@1250W/m<sup>2</sup>)

**MECHANICAL CHARACTERISTICS**

Center contact retention		
Axial force – Mating end	<b>200</b>	N mini
Axial force – Opposite end	<b>100</b>	N mini
Torque	<b>50</b>	N.cm mini

Recommended torque

Mating	N.cm
Panel nut	N.cm

Mating life	<b>500</b>	Cycles mini
Weight	<b>45,1700</b>	g

Issue : 0834 B

In the effort to improve our products, we reserve the right to make changes judged to be necessary.

